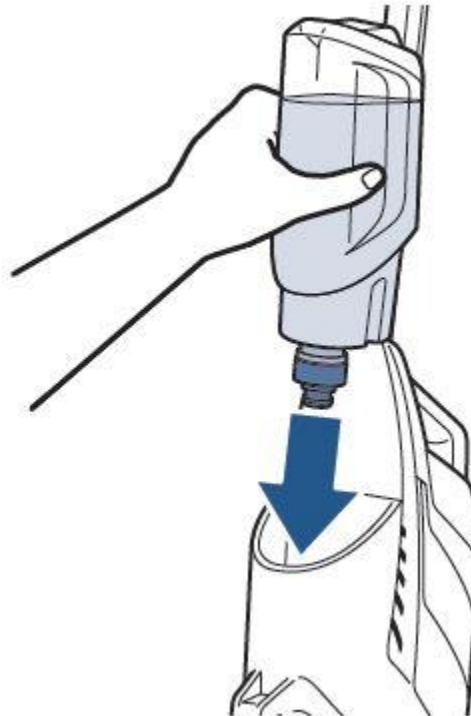


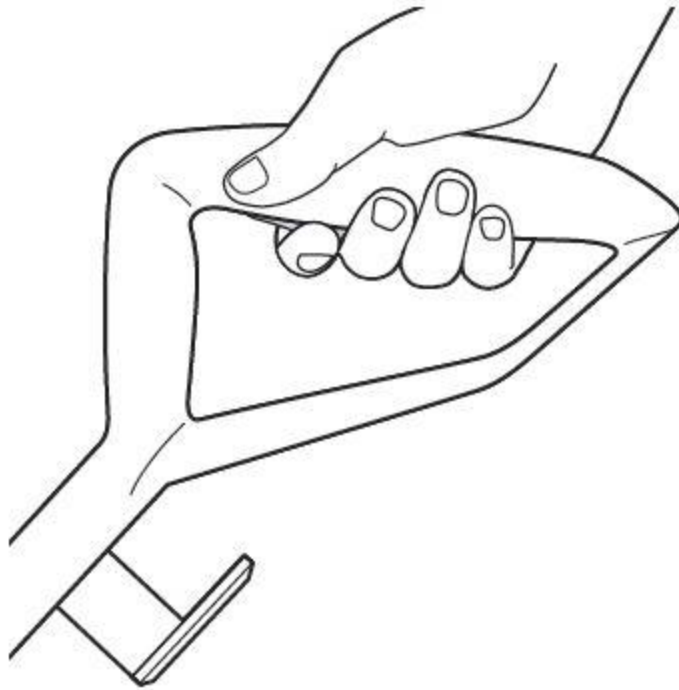
My **CrossWave® Cordless** Multi-Surface Wet Dry Vac has no spray | Support

*The trigger on handle must be held in order for machine to produce spray

- Clean water tank on back of the machine should be full
- Clean water tank should be sitting flush with the machine
- Remove tank and firmly push it back into place



- Clean water tank should be full
- Remove machine from docking station and turn on
- Recline the handle and hold the spray trigger down for 10-15 seconds and test for spray

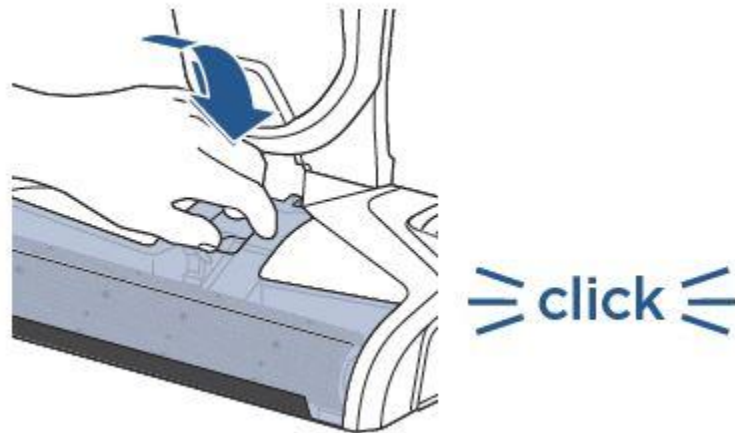
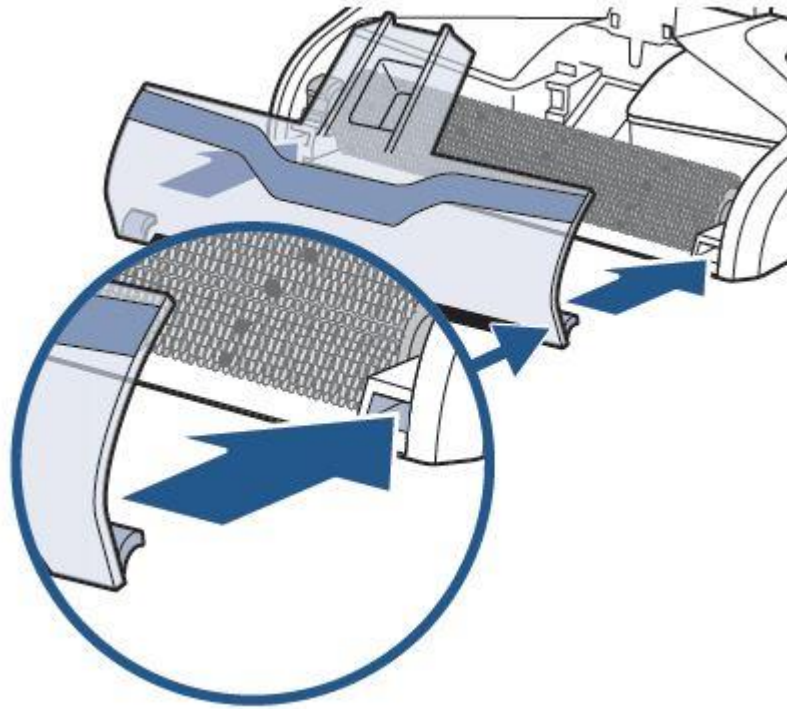


- Turn machine off and remove water tank
 - Inspect water tank for cracks and leaks
 - If your tank is cracked or leaking, a replacement should be ordered
- With water tank still removed, check for cracks on cap and rubber gasket
 - If your cap or gasket is damaged, it should be replaced
- Remove brush window by grabbing the pull tab on window and pulling upward



- Check for clogs in the spray tips on the foot of the machine
 - Probe the spray tips with a paperclip to clear away any clogs

- Reattach brush window by lining up the tabs on the front edges of the foot - push the window into place until it clicks



- Turn machine on and test for spray
- If still no spray, contact us